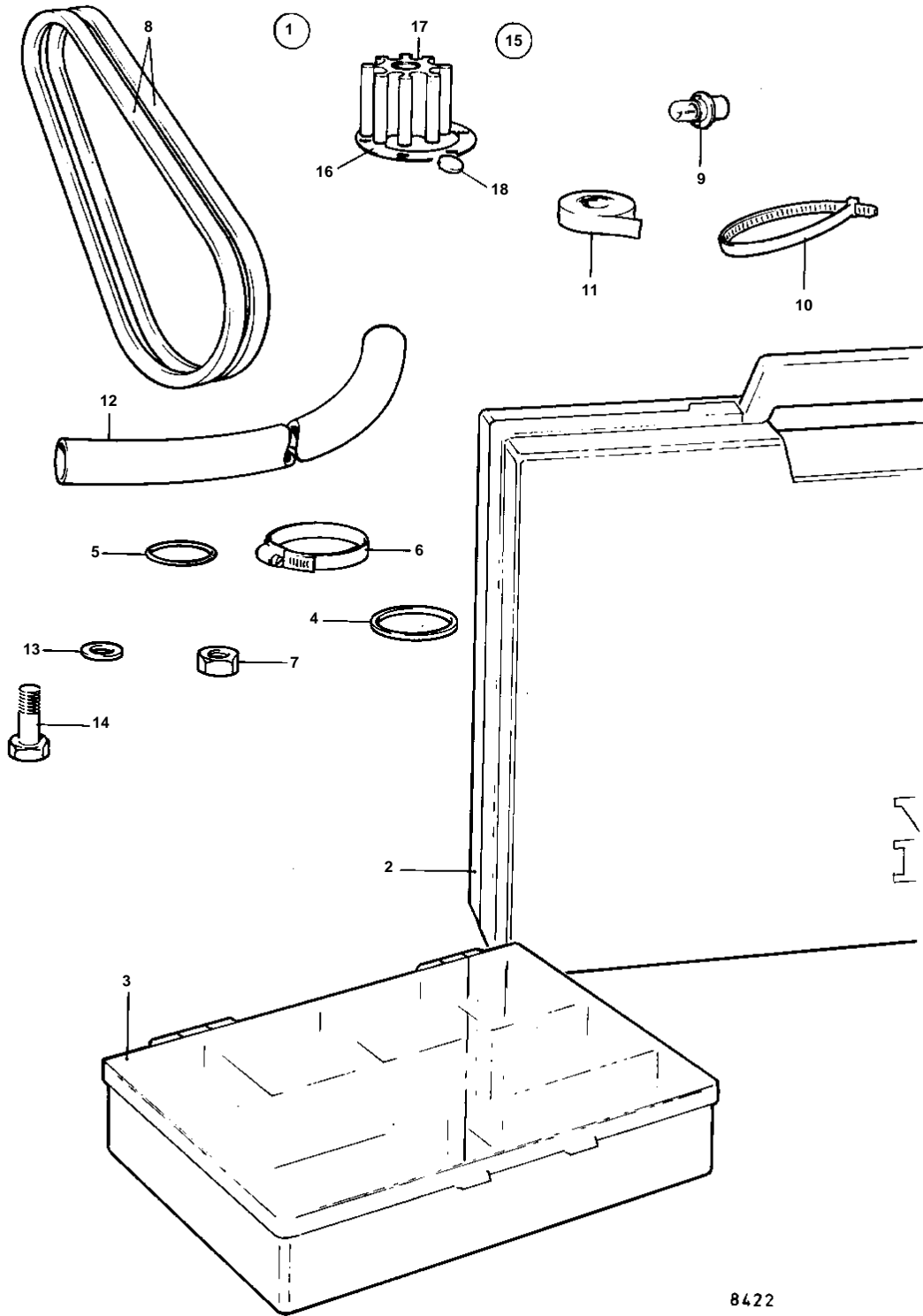


AQAD40,TAMD40



8422

AQAD40,TAMD40

REF	PART NO.	QTY	DESCRIPTION	NOTES
1	858633	1	On board kit	
2	858631	1	· Bag	
3	858284	1	· Box	
4	845354	2	· Sealing ring	
5	949658	3	· O-ring	
6	943476	4	· Hose clamp	
7	955782	2	· Nut	
8	958359	1	· Drive belt set	L = 2X1100 MM
9	19923	4	· Bulb	
10	948210	10	· Strip clamp	
11	858283	1	· Electrical tape	
12	952974	X	· Radiator hose	L = 400 MM
13	11994	10	· Gasket	
	957171	20	· Gasket	
14	963554	5	· Screw	
15	875660	1	· Impeller kit	
16	825728	1	· · Gasket	
	846111	1	· · Gasket	
17	825942	1	· · Impeller	REPL BY 875660
18	848154	1	· · Spline seal	EARLY TYPE